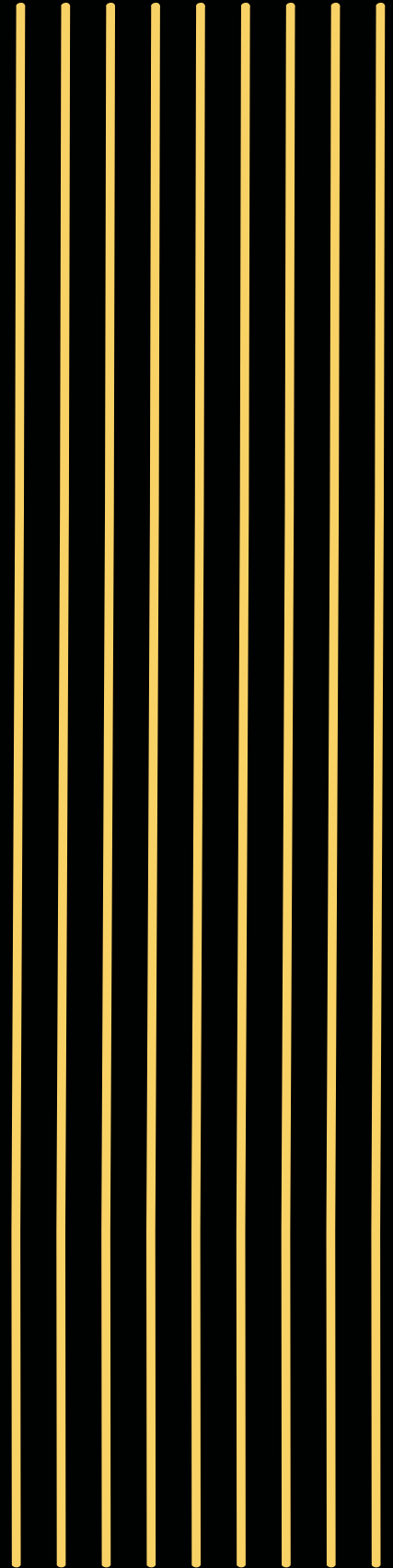


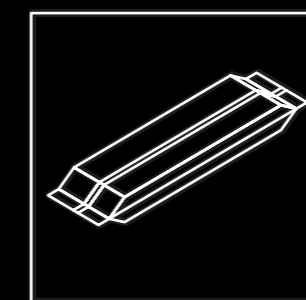
LONG CUT PASTA PACKAGING



CONTENTS

04	Continuous horizontal packaging unit
06	SPL-M/D2R
08	SO-EVO
12	Bulk packaging unit
12	SPL-MAXI
	SVK
14	Remote supervision
14	Accessories
16	Technical data sheets

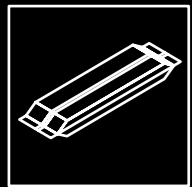
Packaging type



Flowpack

CONTINUOUS HORIZONTAL PACKAGING UNIT

Highest speed packaging
to perfection



UP TO
120
PACKS/MIN

Continuous horizontal packaging unit

Double Weighter SPL-M/D2R

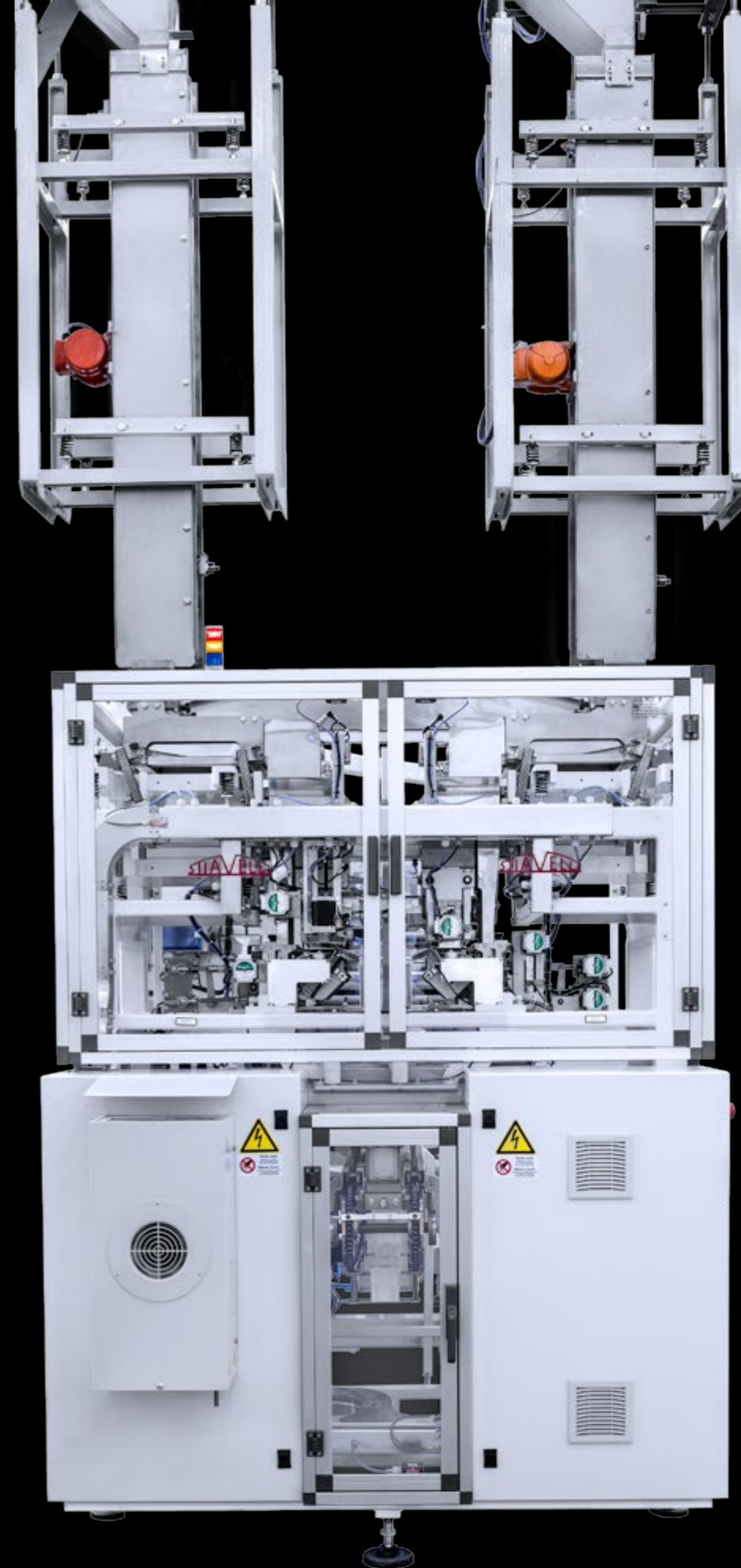
A brand new concept by Stivelli: the doser with adjustable feeding channels.

This innovative model breaks the rules of the fixed feeding system by introducing descending channels with adjustable width in order to weigh various long-cut pasta formats.

- the weigh detection is managed by 4 strain-gauge cells.
- the doser is available with a single or double descending channel.

Adjustable feeders

UP TO
120
PACKS/MIN



Continuous horizontal packaging unit

Continuous horizontal packaging unit S0-EVO

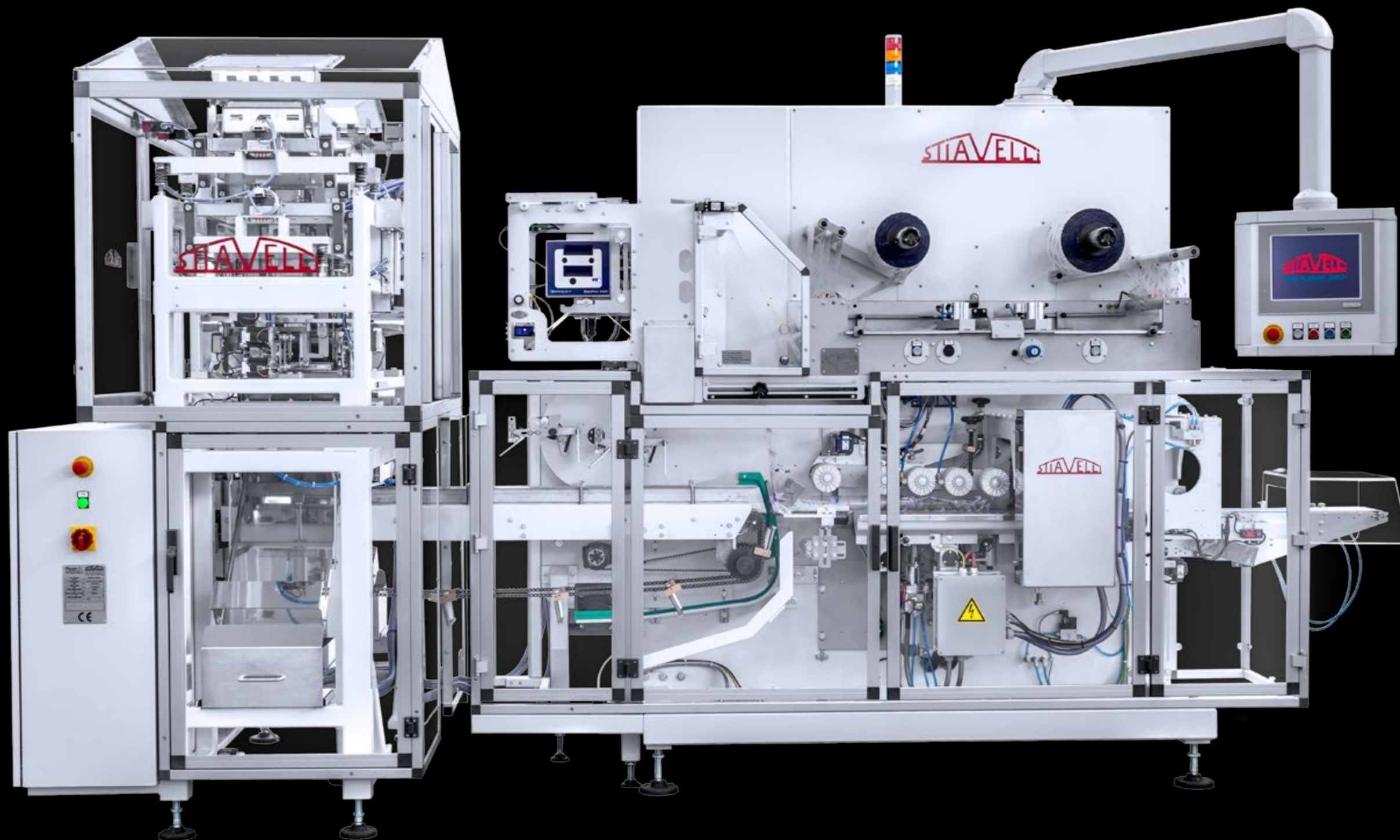
Developed in the '60s, this unit has been continuously updated and currently it has reached the excellence in terms of quality and speed of the packaging.

S0-EVO has been designed to pack up to 120 spaghetti bags per minute. Its latest generation of stripping sealing jaws is able to minimize to less than 1% the fragments in the sealing area, thus improving the quality of the bag.

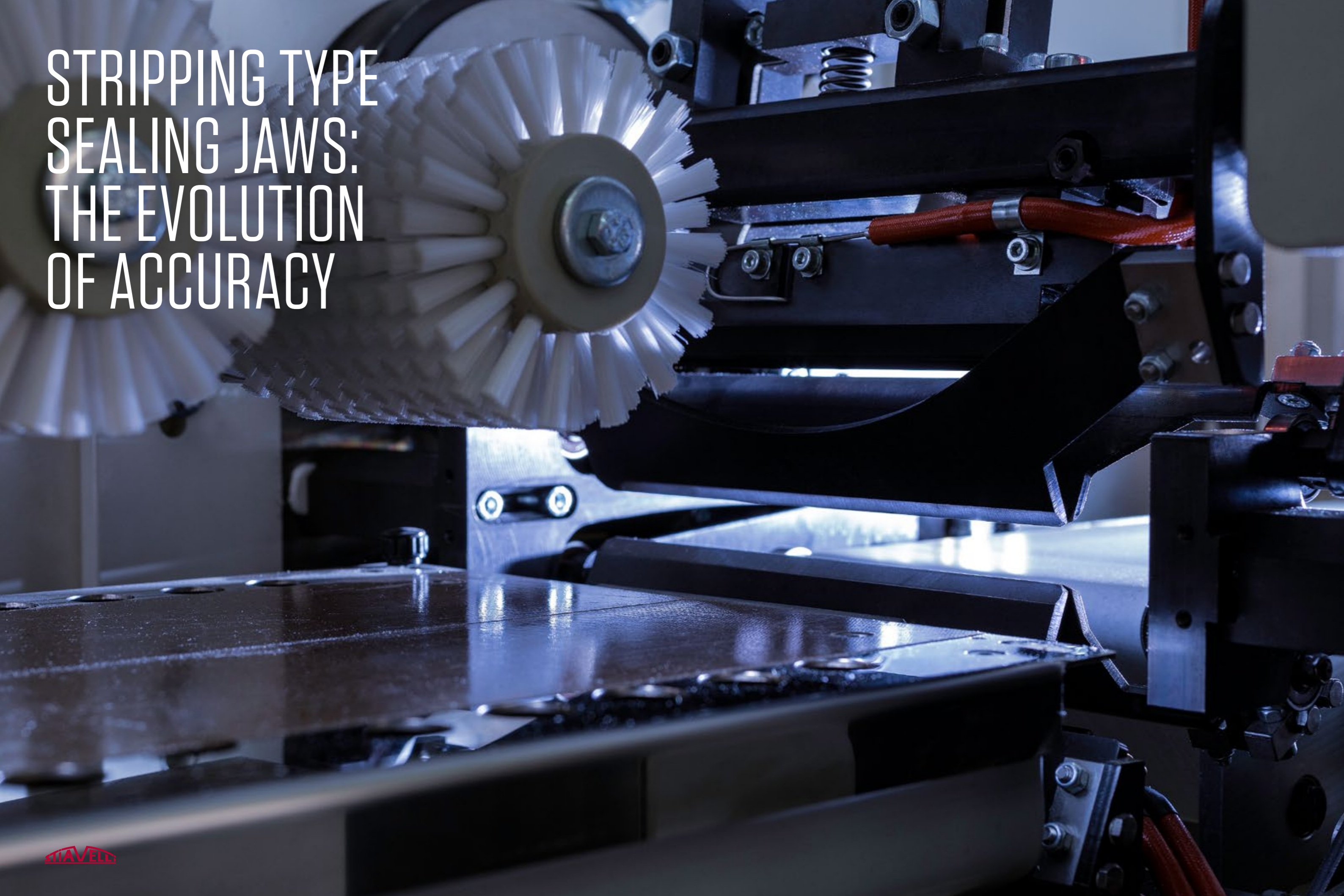
- latest generation Stripping type sealing jaw
- high-speed continuous packaging unit
- entirely managed by brushless motors
- automatic film junction

High-speed continuous packaging system

Latest generation Stripping type sealing jaw



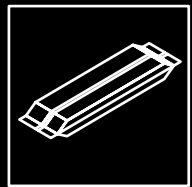
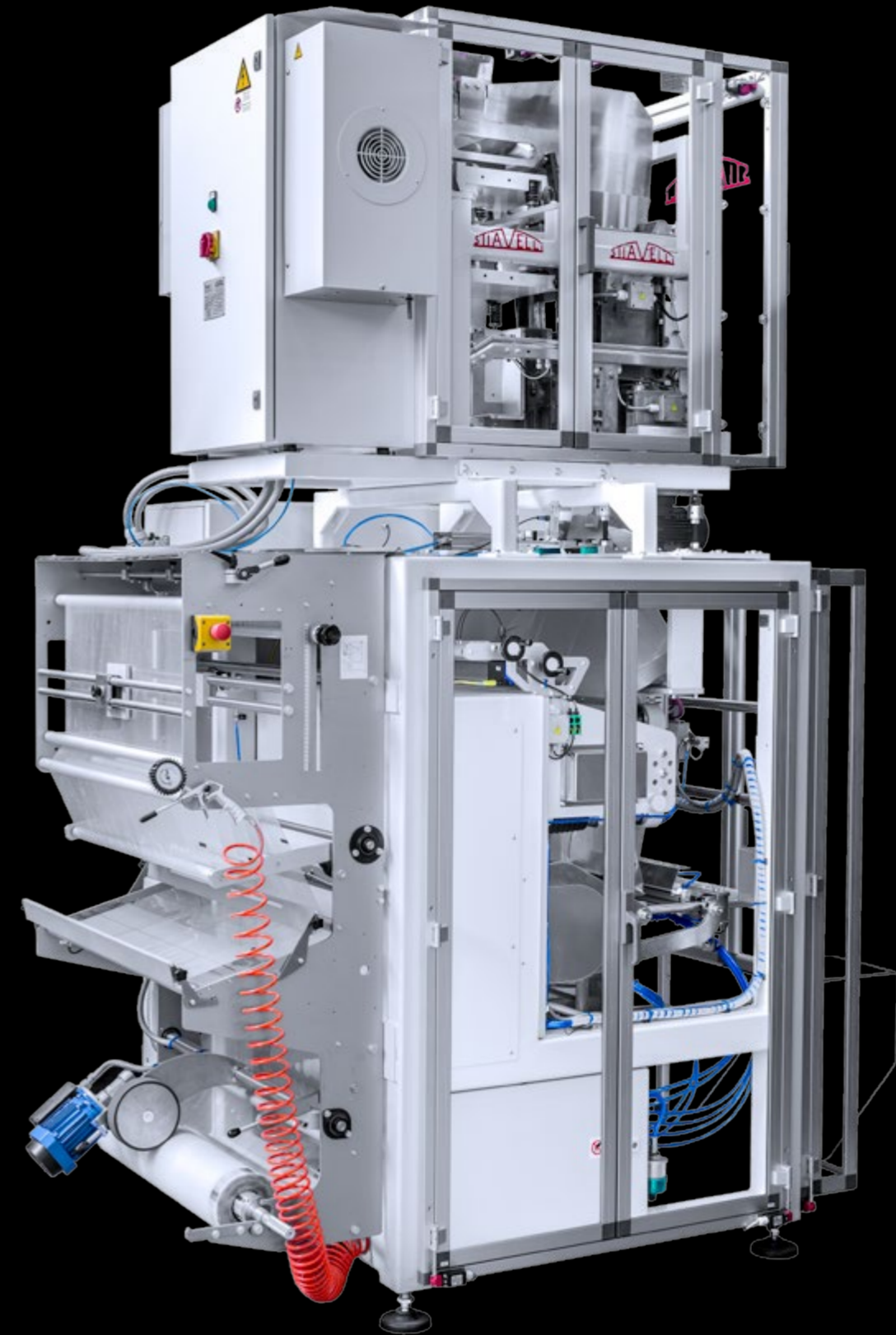
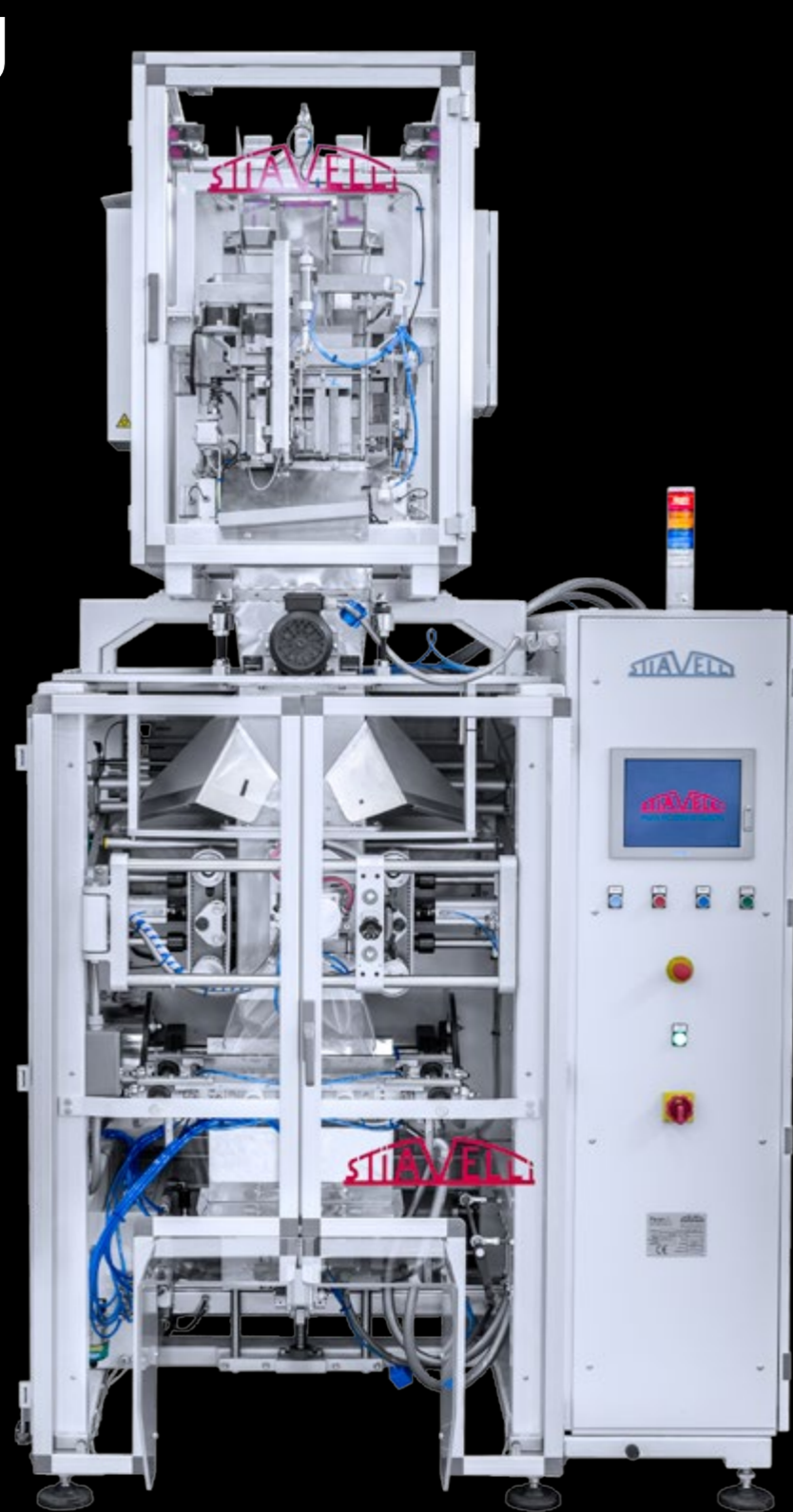
STRIPPING TYPE SEALING JAWS: THE EVOLUTION OF ACCURACY



BULK PACKAGING UNIT

SPL-MAXI + SVK

Stiavelli has been developing also machines for catering size packages. The SPL-MAXI Weighing doser is specifically designed for big Volumes and, once combined with the SVK packaging machine, the whole packaging system is able to pack 3 kg, 5 kg or 10 kg bags of long-cut pasta.



UP TO
22
PACKS/MIN

REMOTE SUPERVISION

Stiavelli machines are equipped with cutting-edge electronic systems and in-house developed software. Each of our machine can be monitored through a remote service. This is a standard feature for all Stiavelli products.

ACCESSORIES

Feeding system

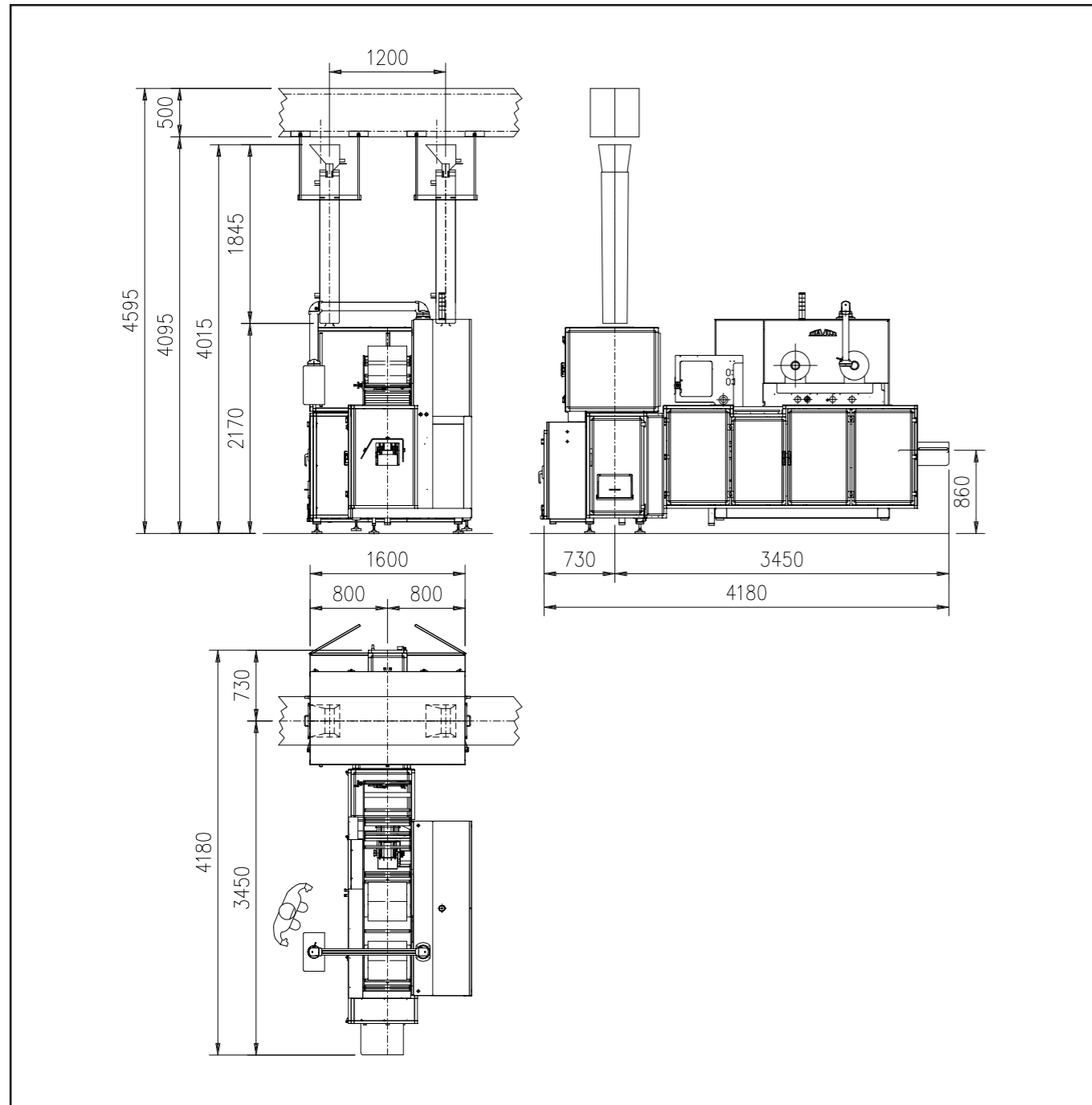
The best way to convey pasta from the exit of the production line to the packaging unit. Customized solutions for any type of production line and packaging unit. Pasta conveying buckets made of detectable materials upon request.

Checkweighers CPS

Checkweigher systems specifically calibrated to verify the correct packaging. They can be equipped with a metal detector.



SPL-M/D2R + SO-EVO



Products:

Round shapes: diameter from 0,9 to 4,0 mm (plain or hollow) - Length: 240 - 260 mm

Rectangular shapes: maximum length.

3,5 mm - width 1 mm

Weighing range: from 200 to 1000 gr

Bags flat size:

Width: from 72 to 160 mm

Length: from 200 to 350 mm

Film size:

Maximum Length : 400 mm

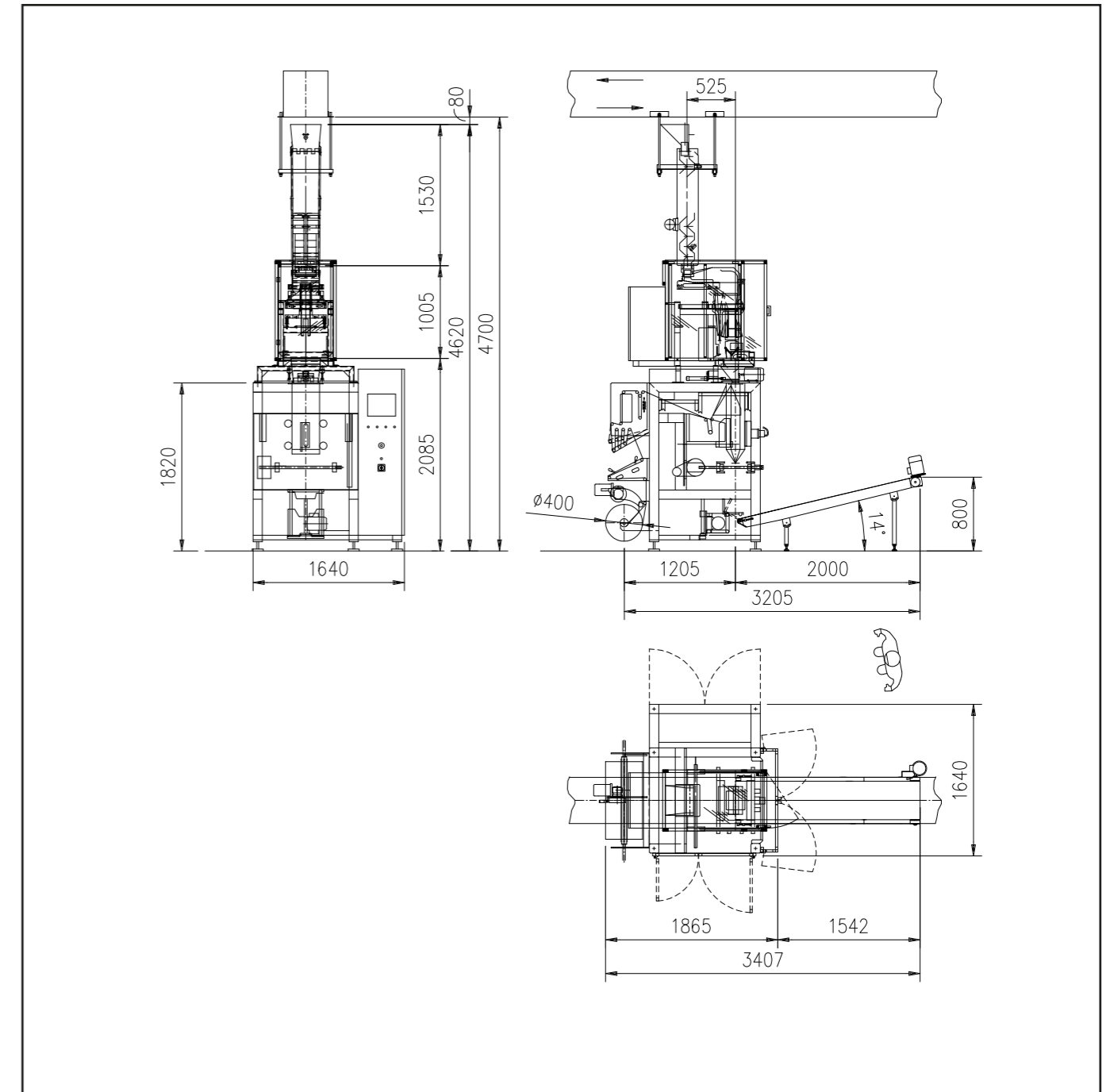
Maximum diameter: 350 mm

Approx. consumptions:

Absorbed power: 16 kW

Compressed air: 100 NI/ min at 6 BAR

SPL-MAXI + SVK



Products:

Round shapes: diameter from 0,9 to 4,0 mm (plain or hollow) - Length: 240 - 260 mm

Rectangular shapes: maximum length.

3,5 mm - width 1 mm

Weighing range: from 3000 to 10000 gr

Bags flat size:

Width: from 130 to 430 mm

Length: from 200 to 600 mm

Film size:

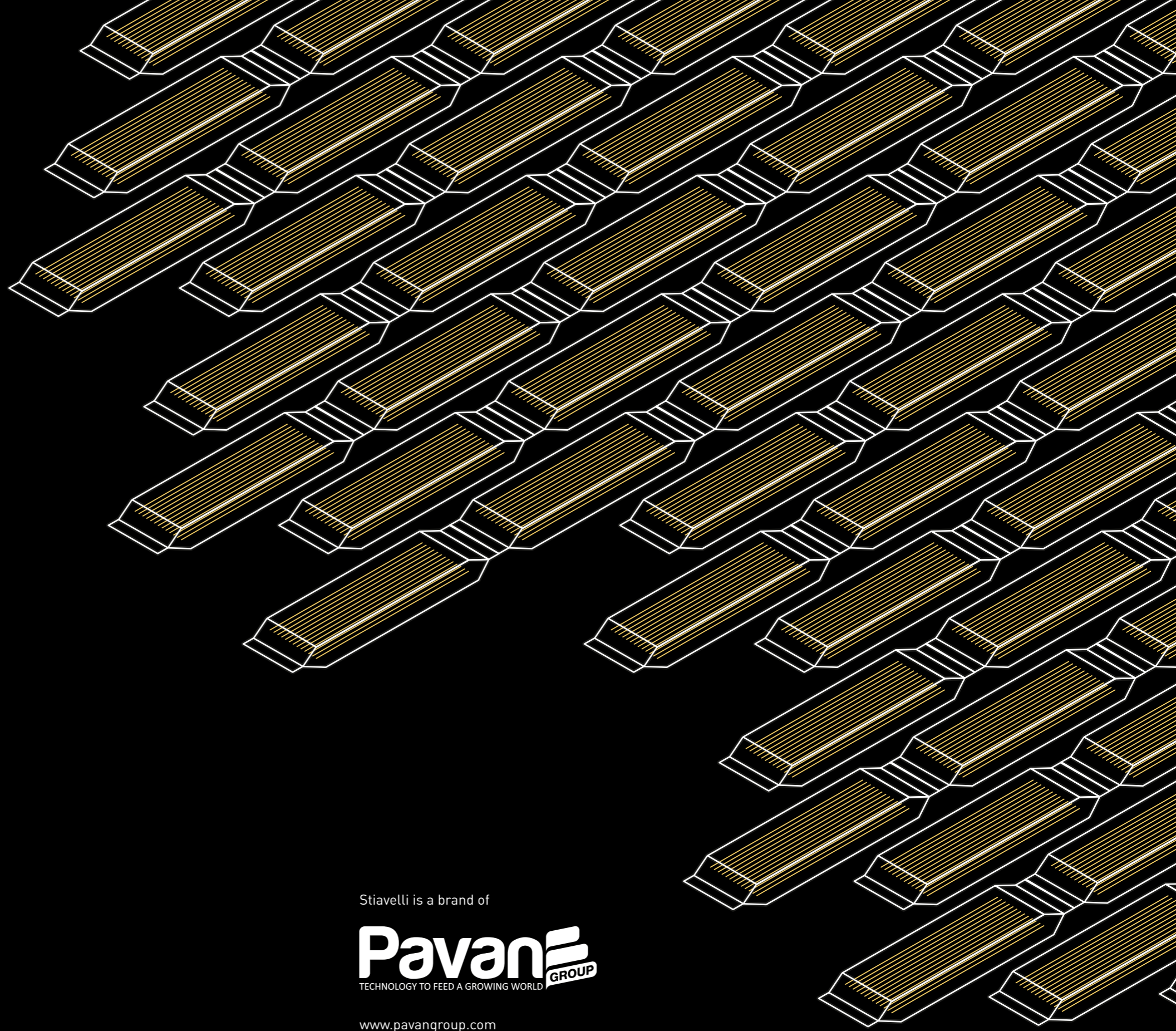
Maximum Length : 870 mm

Maximum diameter: 400 mm

Approx. consumptions:

Absorbed power: 10 kW

Compressed air: 1000 NI/ min. at 6 BAR



Stiavelli is a brand of

Pavan GROUP
TECHNOLOGY TO FEED A GROWING WORLD

www.pavangroup.com

Linkedin: [linkedin.com/company/pavan-group](https://www.linkedin.com/company/pavan-group)

Youtube: [youtube.com/c/PavanGroup](https://www.youtube.com/c/PavanGroup)

Issuu: [issuu.com/pavangroup](https://www.issuu.com/pavangroup)



Headquarters

Via Monte Grappa, 8
Galliera Veneta
35015 – PD – Italy
Tel. +39 049 9423 111
Fax. +39 049 9415 490

Production plant

Via G. Amendola, 7
Loc. Torricchio
51010 Uzzano (PT) Italy
Tel. +39 0572451012
Fax +39 0572444642

info@stiavelli.it
www.stiavelli.it